

Attenuator

The Best Wireless Solution!

N 25watt 20dB 6GHz Attenuator

P.N. : F04-F0620-01

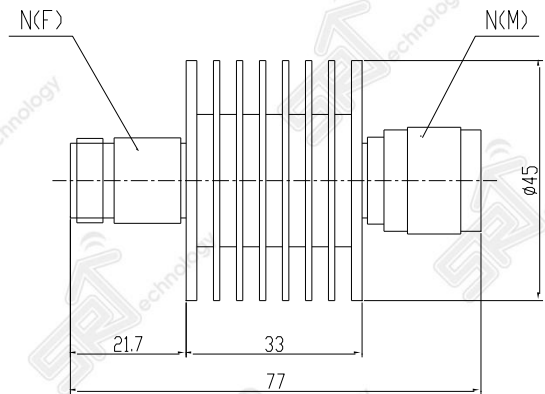
Products feature

- Reliable Attenuation and V.S.W.R
- Easy maintenance
- Wide broadband frequency application
- Directional 25 watt rating

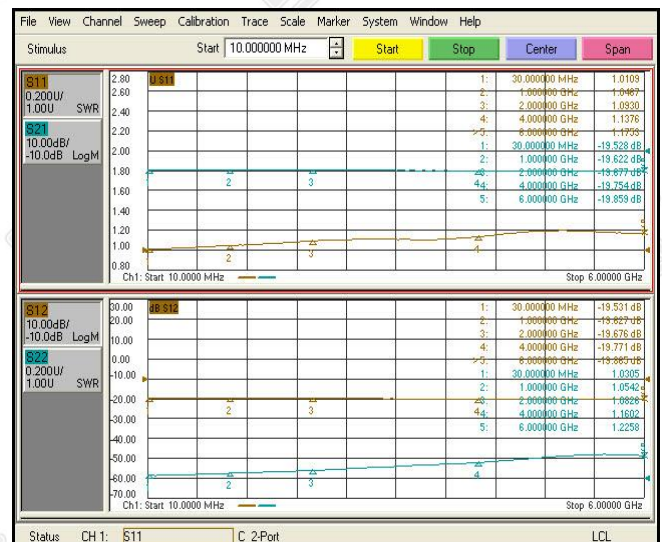


Electrical specification

Item	Specification
Frequency range	DC ~ 6GHz
Impedance (Nominal)	50Ω
Power rating	25 watt
Attenuation	20 dB +/- 1.0dB/max
V.S.W.R (Max)	1.25: 1
Connector type	N male(Input) – female(Output)



Electrical performance



Material specification

Item	Specification
Dimension	Φ45*77mm
Temperature Range	-55°C ~ 85°C
Weight	0.220 Kg