

## SMA 10Watt 20dB 8GHz Attenuator

P.N. : F01-D0820-01

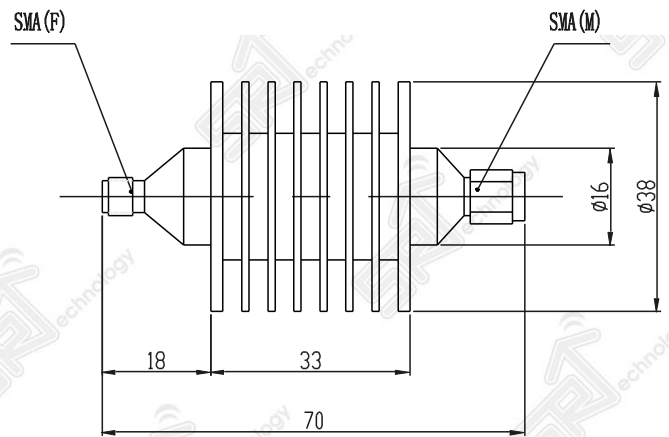
### Products feature

- Reliable Attenuation & V.S.W.R
- Easy maintenance
- Wide broadband frequency application
- Directional 10 Watt rating



### Electrical specification

Item	Specification
Frequency range	DC ~ 8 GHz
Impedance (Nominal)	50Ω
Average Power rating	10 watt
Peak Power(5 μs)	10 KW
Attenuation	20 dB +/- 1.0 dB/max
V.S.W.R (Max)	1.30 : 1
Connector type	SMA male(Input) – female(Output)



### Material specification

Item	Specification
Dimension	Φ38*70 mm
Temperature Range	-55°C~ 85°C
Weight	1.8 Kg