

Attenuator

The Best Wireless Solution!

SMA 2watt 30dB 18GHz Attenuator

P.N. : F01-B1830-01

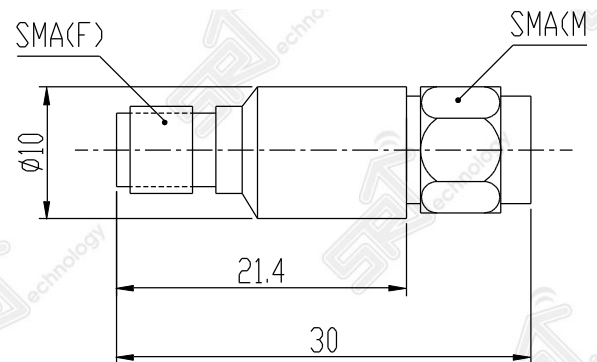
Products feature

- Reliable Attenuation & V.S.W.R
- Easy maintenance
- Wide broadband frequency application
- Directional 2 watt rating

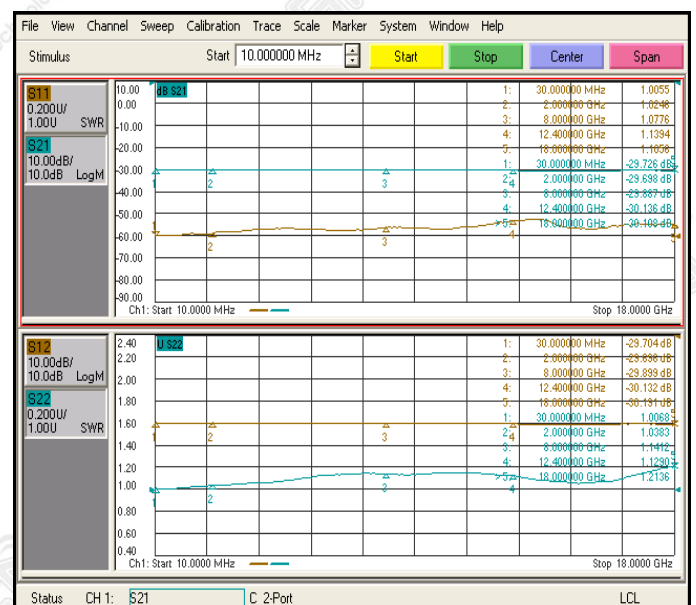


Electrical specification

Item	Specification
Frequency range	DC ~ 18 GHz
Impedance (Nominal)	50Ω
Average Power rating	2 watt
Peak Power(5 μs)	0.25 KW
Attenuation	30 dB +/- 1.2dB/max
V.S.W.R (Max)	1.35 : 1
Connector type	SMA male(Input) – female(Output)



Electrical performance



Material specification

Item	Specification
Dimension	Φ10*30mm
Temperature Range	-55°C~ 85°C
Weight	10 g