

TERMINATION, N 5WATT 6GHz

Item code : E04-A0506-09

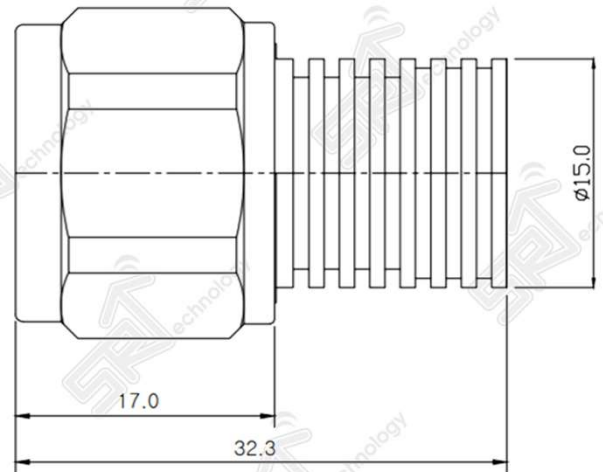
Products feature

- Reliable V.S.W.R, 1.15 : 1
- 5 Watt power rating compared to compact size
- 25% smaller than other companies



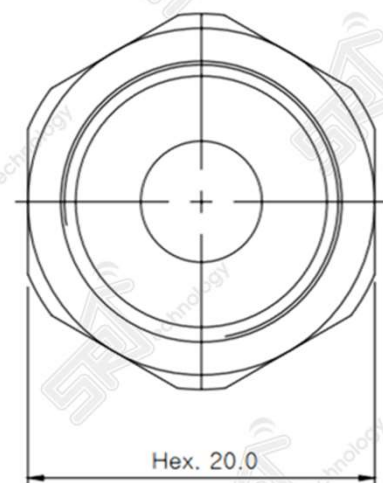
Electrical specification

Item	Specification
Frequency Range (GHz)	DC ~ 6 GHz
Impedance (Nominal)	50Ω
Power rating	5Watt
V.S.W.R (Max)	1.15 : 1
Connector type	N male
Operating Temperature	-50°C ~ 85°C



Material specification

Item	Specification
Connector Coupling	Brass
Coupling Connector Body	Brass / Tri-metal alloy plating
Heatsink	Brass / Tri-metal alloy plating
Pin	Brass / Gold plating
Dimension	Ø15 * 32.3 mm



[mm]