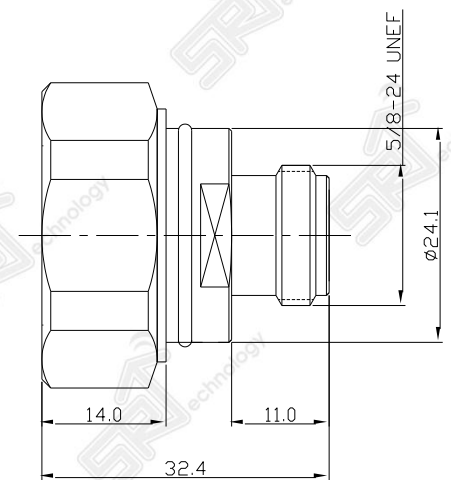


## 7/16 Din Male to N Female adaptor

P.N. : B54-A1206-08

### Electrical specification

Item	Specification
Frequency range	DC ~ 6 GHz
Impedance (Nominal)	50Ω
V.S.W.R (Max)	1.20 : 1
Insertion Loss	-0.2 dB
Connector type	7/16 Din male – N female



### Material specification

Item	Specification
Body	Brass / Tri-Alloy plating
Center contact (pin)	Brass, Be-cu / Gold plating
Insulator	PTFE

