

Adaptor

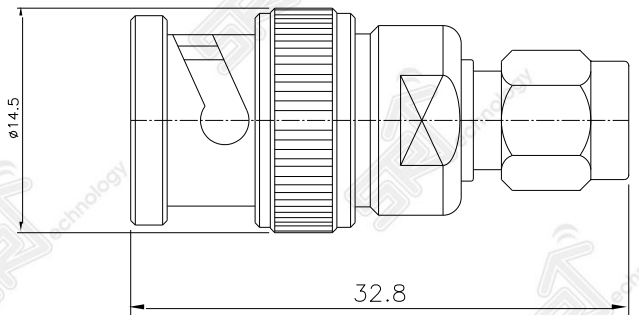
The Best Wireless Solution!

BNC Male to SMA Male S/T adaptor (BNC Plug to SMA Plug S/T ADP)

P.N. : B12-A1103-01

Electrical specification

Item	Specification
Frequency range	DC ~3 GHz
Impedance (Nominal)	50Ω
V.S.W.R (Max)	1.20 : 1
Connector type	BNC M – SMA M
RoHS	Compliance



Material specification

Item	Specification
Body	Brass / Gold plating
Center contact (pin)	Brass / Gold plating
Insulator	PTFE

Electrical performance

