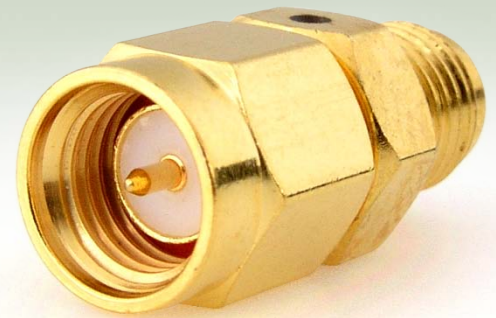


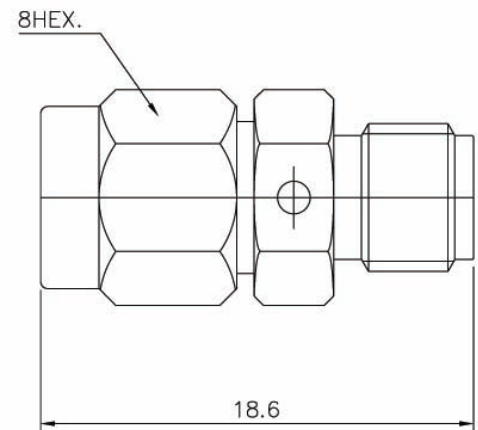
## SMA Male to Female S/T adaptor (SMA plug to jack Straight ADP)

P.N. : B11-A2106-01



### Electrical specification

Item	Specification
Frequency range	DC ~ 6 GHz
Impedance (Nominal)	50Ω
V.S.W.R (Max)	1.20 : 1
Connector type	SMA male – female
RoHS	Compliance



### Material specification

Item	Specification
Body	Brass / Gold plating
Center contact (pin)	Brass / Be-Cu // Gold plating
Insulator	PTFE