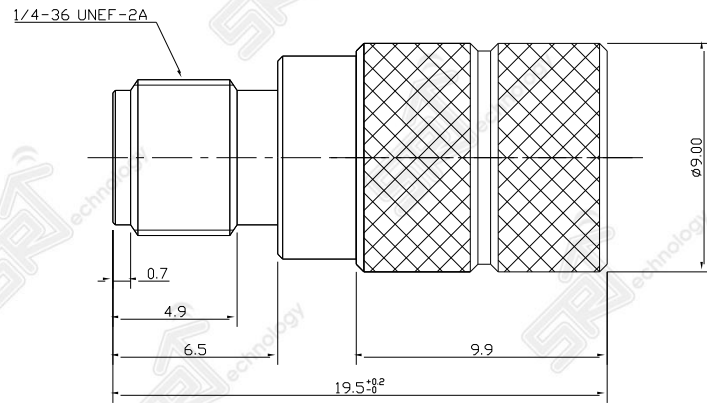


SMA Male to Female Push-on adaptor (SMA Plug to Jack Push-on ADP)

P.N. : B11-A1203-45

Electrical specification

| Item | Specification | |
|---------------------|-------------------|----------|
| Frequency range | DC ~ 6 GHz | |
| Impedance (Nominal) | 50Ω | |
| V.S.W.R (Max) | DC-3GHz | 1.08 : 1 |
| | 3GHz-6GHz | 1.10 : 1 |
| Insertion Loss | DC-3GHz | 0.12dB |
| | 3GHz-6GHz | 0.9dB |
| Connector type | SMA male – female | |
| Mating | 2, 000 Times Min. | |
| RoHS | Compliance | |



Electrical performance

Material specification

| Item | Specification |
|----------------------|------------------------------|
| Body | Brass / Gold plating |
| Center contact (pin) | Brass , Be-Cu / Gold plating |
| Insulator | PTFE |

