

# MCX Connector

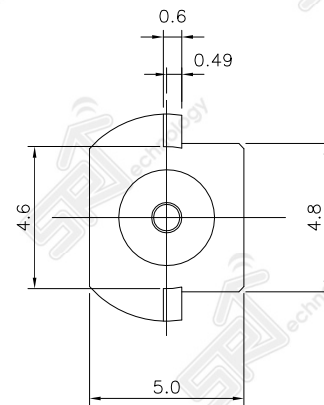
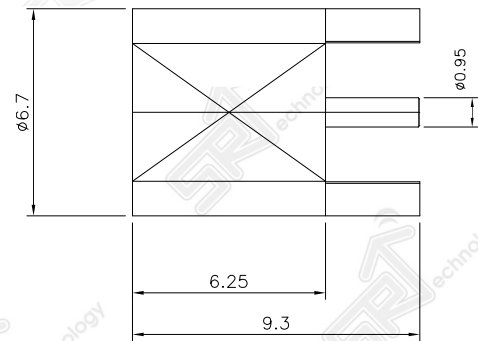
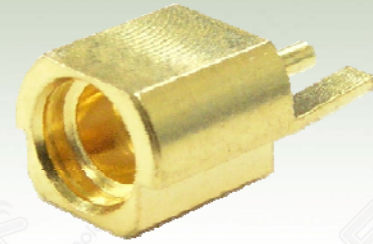
The Best Wireless Solution!

## MCX Female End Launch

P.N. : A06-F2003-04

### Electrical Specification

Item	Specification
Frequency range	DC~6GHz
Impedance	50 Ω
V.S.W.R.	1.30
Insulation Resistance	1,000 MΩ Min
Contact resistance	Center contacts : 5.0 mΩ Outer contacts : 1.0mΩ
Connector Retention	500 Cycles Min
Insertion Loss	0.1dB Max at 1GHz
Working Temperature	-65°C~+125°C
Vibration	MIL-STD-202
Shock	MIL-STD-202
RoHS	Compliance



### Material Specification

Item	Specification
Body & Coupling Nut	Brass / Gold plating
Center contact	Beryllium / Gold plating
Insulator	PTFE
Ferrule	Brass / Nickel plating