

N Connector

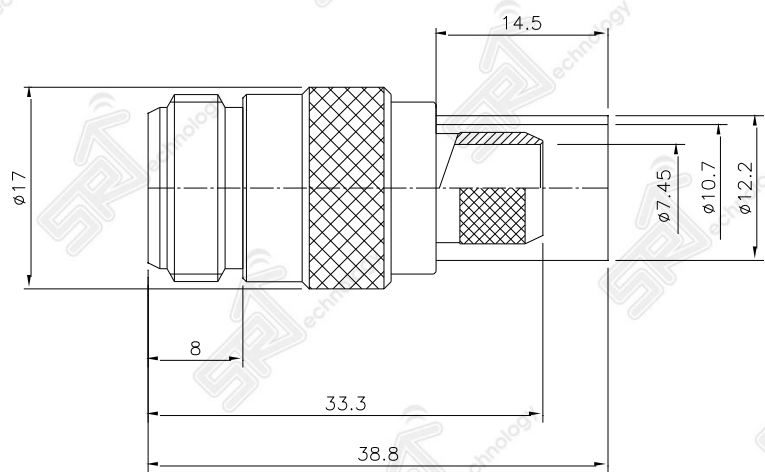
The Best Wireless Solution!

N Female LMR400 RG8, RG214, RG213

P.N. : A04-F1521-01

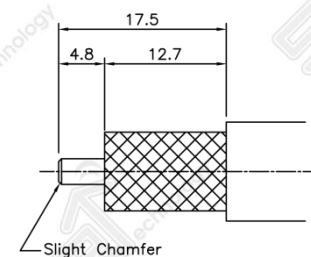
Electrical Specification

Item	Specification
Frequency range	DC~9GHz
Impedance	50 Ω
V.S.W.R.	1.20
Contact Current	DC 3.5A Max
Working Voltage	1000V rms
Insulation Resistance	5,000 MΩ Min
Connector Retention	500 Cycles Min
Interface	MIL-C-39012
Vibration	MIL-STD-202
Shock	MIL-STD-202
RoHS	Compliance



Material Specification

Item	Specification
Body & Coupling Nut	Brass / Nickel plating
Center contact	Beryllium / Gold plating
Insulator	PTFE
Ferrule	Brass / Nickel plating



Recommended Stripping DIM'S

Recommended Crimp DIES : HEX10.7