

BNC Male RG58

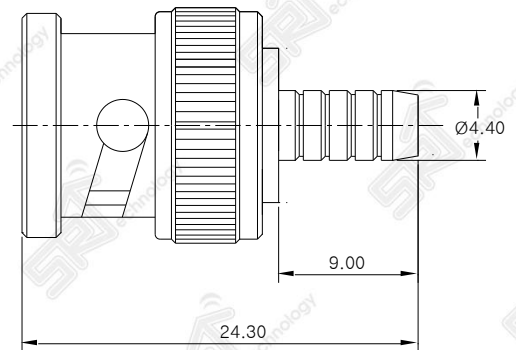
P.N. : A02-M1101-01

Products feature

- Reliable V.S.W.R
- Easy maintenance

Electrical specification

Item	Specification
Frequency range(GHz)	DC ~ 4 GHz
Impedance (Nominal)	50Ω
Contact Current	DC 3.5A max.
Voltage rating	500V rms
Insertion Loss	0.3dB max at 3GHz
Life	500 mating
Coupling Nut torque	0.07Nm min ~ 0.25Nm max
Temperature	-65°C ~ 85°C
RoHS	Compliance



Material specification

Item	Specification
Connector Body	Brass / Nickel plating
Center Contact	Brass / Gold plating
Insulator	PTFE
Ferrule	Brass / Nickel plating
Cable Type	RG58, RG223, LMR200