

SMA Connector

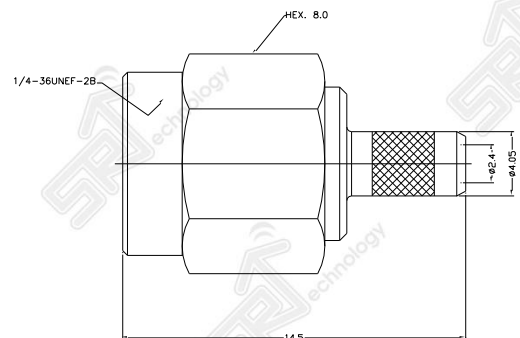
The Best Wireless Solution!

SMA Male RG405

P.N. : A01-M1324-04

Electrical Specification

Item	Specification
Frequency range	DC~18GHz
Impedance	50 Ω
Insulation Resistance	5,000 MΩ Min
RF Leakage	-60dBm Min., 2~3GHz
Interface	MIL-C-39012
Vibration	MIL-STD-202
Shock	MIL-STD-202
Durability	500 Mating
Coupling Nut Torque	12 Ncm – 170 Ncm
Temperature	-65°C ~ +85°C
RoHS	Compliance



Material Specification

Item	Specification
Body & Coupling Nut	Brass / Gold plating
Center contact	Brass / Gold plating
Insulator	PTFE
Ferrule	Brass / Nickel plating
Cable Type	RG405