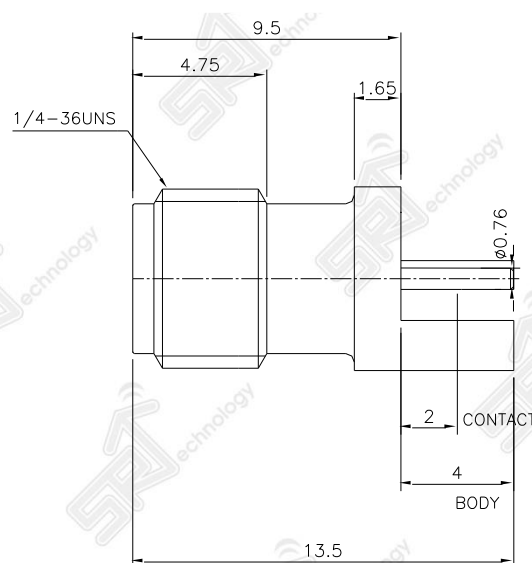


SMA Female End Launch 1.0T

P.N. : A01-F2003-51

Electrical Specification

| Item | Specification |
|-----------------------|---------------------|
| Frequency range | DC~18GHz |
| Impedance | 50 Ω |
| VSWR | 1.20 Max |
| Insulation Resistance | 5,000 MΩ Min |
| RF Leakage | -60dBm Min., 2~3GHz |
| Interface | MIL-C-39012 |
| Vibration | MIL-STD-202 |
| Shock | MIL-STD-202 |
| Durability | 500 Mating |
| Coupling Nut Torque | 12 Ncm – 170 Ncm |
| Temperature | -65°C ~ +85°C |
| RoHS | Compliance |



Material Specification

| Item | Specification |
|---------------------|------------------------|
| Body & Coupling Nut | Brass / Gold plating |
| Center contact | BeCu / Gold plating |
| Insulator | PTFE |
| Ferrule | Brass / Nickel plating |

